

# eCO 58 R

## Ruota Metrica / Metric wheels



- Risoluzioni standard fino a 24000 ppr
- Standard resolution up to 24000 ppr
- Frequenza operativa fino a 300 KHz
- Max frequency up to 300 KHz
- Velocità di rotazione fino a 3000 rpm
- Maximun Speed up to 3000 rpm
- Grado di protezione fino a IP66
- Enclosure rating up to IP66

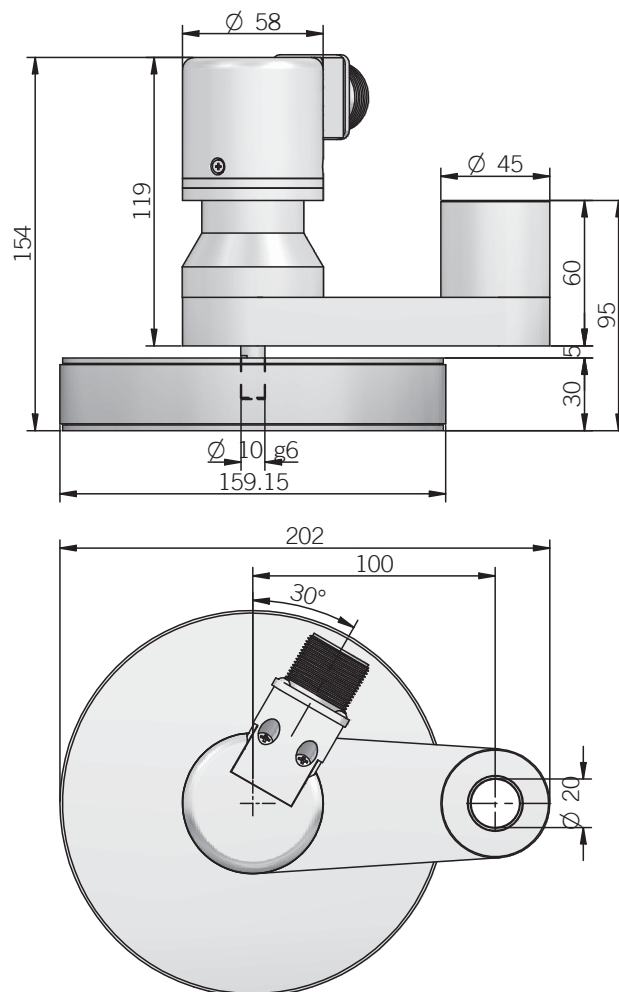


\* SU RICHIESTA

### Meccanica / Mechanical

Grado di protezione <i>Enclosure rating</i>	IP54 (IEC 60529) / IP66 (IEC 60529)
Velocità massima <i>Maximum Speed</i>	3000 rpm
Carico massimo <i>Max load on the shaft</i>	10 N Axial, 20 N Radial 200 N
Shock	50 G, 11 ms (IEC 60068-2-27)
Vibrazioni <i>Vibration</i>	10 G, 10..2000 Hz (IEC 60068-2-6)
Corpo <i>Body materials</i>	Alluminio / <i>Aluminum</i> EN-AW 2011
Albero <i>Shaft materials</i>	Acciaio INOX / <i>Stainless steel</i> UNI X10CrNiS1809
Custodia <i>Case materials</i>	Alluminio / <i>Aluminum</i> UNI 5076
Cuscinetti <i>Bearings</i>	2 Cuscinetti a sfera <i>2 ball bearings</i>
Durata cuscinetti <i>Bearings life</i>	10 <sup>9</sup> Rivoluzioni <i>10<sup>9</sup> Revolutions</i>
Temp. Operativa <i>Work temperature</i>	Da -0° C a +60° C
Temp. Stoccaggio <i>Store temperature</i>	Da -25° C a +70° C
Peso ruota / <i>Weight wheels</i>	800 g
Materiale ruota <i>Wheels material</i>	Alluminio / <i>Aluminum</i> UNI 3051
Materiale supporto <i>Support material</i>	Painted Aluminum UNI 9002/5

### Disegni tecnici / Technical drawing



Encoder a Filo - Ruota metrica - Accessori  
Rope Encoder - Metric Wheels - Accessory

# eco 58 R

## Ruota Metrica / Metric wheels

### Codice di ordinazione / Ordering code

#### Encoder incrementale in metallo

<b>eco</b>	<b>58</b>	<b>R</b>	<b>A</b>	<b>A</b>	<b>I</b>	<b>8</b>	<b>30V</b>	<b>XXXXX</b>	<b>S</b>	<b>P8 015</b>	<b>L</b>	<b>10</b>	<b>C</b>	<b>-</b>	<b>0000</b>
------------	-----------	----------	----------	----------	----------	----------	------------	--------------	----------	---------------	----------	-----------	----------	----------	-------------

**R** - Ruota metrica / Metric wheels  
**A** - Liscia / Smooth  
**B** - Zigrinata / Knurled  
**C** - Gommata / Rubberized  
**P8 015** - Standard 8 PIN cable L 1,5 mt  
**J10** - Connector J10  
**M12** - Connector M12, 8 pin  
**M10** - Military connector M10  
**S** - Standard enclosure rating IP54  
**P** - Enclosure rating IP66  
**XXXXX** - Resolution: Pulse per Revolution  
Special Product code

#### Encoder incrementale in plastica

<b>eco</b>	<b>58</b>	<b>R</b>	<b>A</b>	<b>P</b>	<b>I</b>	<b>8</b>	<b>30V</b>	<b>XXXXX</b>	<b>S</b>	<b>P8 015</b>	<b>L</b>	<b>10</b>	<b>C</b>	<b>-</b>	<b>0000</b>
------------	-----------	----------	----------	----------	----------	----------	------------	--------------	----------	---------------	----------	-----------	----------	----------	-------------

**R** - Ruota metrica / Metric wheels  
**A** - Liscia / Smooth  
**B** - Zigrinata / Knurled  
**C** - Gommata / Rubberized  
**P8 015** - Standard 8 PIN cable L 1,5 mt  
**J10** - Connector J10  
**M12** - Connector M12, 8 pin  
**M10** - Military connector M10  
**S** - Standard enclosure rating IP54  
**P** - Enclosure rating IP66  
**XXXXX** - Resolution: Pulse per Revolution  
Special Product code

#### Encoder assoluto monogiro in metallo

<b>eco</b>	<b>58</b>	<b>R</b>	<b>A</b>	<b>A</b>	<b>AS</b>	<b>GS</b>	<b>5</b>	<b>XXXXX</b>	<b>S</b>	<b>P8 015</b>	<b>L</b>	<b>10</b>	<b>C</b>	<b>-</b>	<b>0000</b>
------------	-----------	----------	----------	----------	-----------	-----------	----------	--------------	----------	---------------	----------	-----------	----------	----------	-------------

**R** - Ruota metrica / Metric wheels  
**A** - Liscia / Smooth  
**B** - Zigrinata / Knurled  
**C** - Gommata / Rubberized  
**P8 015** - Standard 8 PIN cable L 1,5 mt  
**M10** - Military connector M10  
**S** - Standard enclosure rating IP54  
**P** - Enclosure rating IP66  
**XXXXX** - Single turn resolution  
**5** - 5 VDC  
**8/28** - 8/28 VDC  
**G** - Gray code  
**B** - Binary code  
**BC** - Binary compensated  
**GC** - Gray code compensated  
**S** - SSI 13 bit  
**S** - SSI 13 bit  
**S** - SSI 13 bit  
**S** - SSI 13 bit  
Special Product code

#### Encoder assoluto multigiro in metallo

<b>eco</b>	<b>58</b>	<b>R</b>	<b>A</b>	<b>A</b>	<b>AM</b>	<b>GS</b>	<b>5</b>	<b>XXXX/XXXX</b>	<b>S</b>	<b>P8 015</b>	<b>L</b>	<b>10</b>	<b>C</b>	<b>-</b>	<b>0000</b>
------------	-----------	----------	----------	----------	-----------	-----------	----------	------------------	----------	---------------	----------	-----------	----------	----------	-------------

**R** - Ruota metrica / Metric wheels  
**A** - Liscia / Smooth  
**B** - Zigrinata / Knurled  
**C** - Gommata / Rubberized  
**P8 015** - Standard 8 PIN cable L 1,5 mt  
**M10** - Military connector M10  
**S** - Standard enclosure rating IP54  
**P** - Enclosure rating IP66  
**XXXX/XXXX** - Multiturn resolution/Single turn resolution  
**5** - 5 VDC  
**8/28** - 8/28 VDC  
**G** - Gray code  
**B** - Binary code  
**BC** - Binary compensated  
**GC** - Gray code compensated  
**S** - SSI 25 bit  
**S** - SSI 25 bit  
**S** - SSI 25 bit  
**S** - SSI 25 bit  
Special Product code